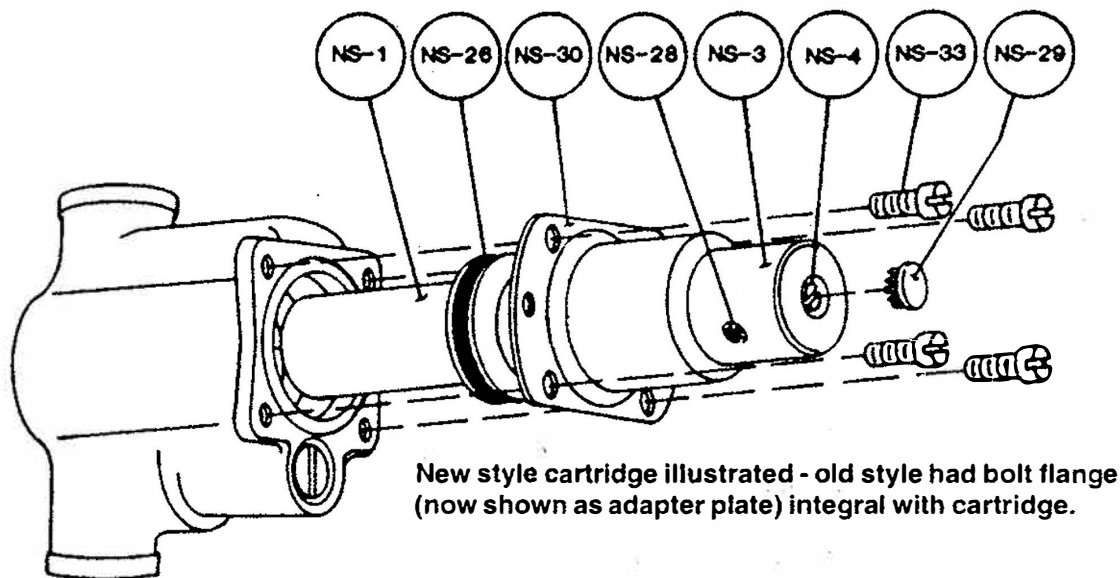


New Style Replacement Cartridge for SHOWEROFF® Automatic Shower Limiting Valve from 1960 - 1982

NOTE: When old style PS-1 is ordered, NS-1 and NS-30 will be shipped.

1. Remove trim plate.
2. Remove four screws (NS-33) holding cartridge in place.
3. Pull old cartridge, using a twisting action, from body.
4. Discard old gasket between cartridge and body.
5. Install new cartridge (NS-1), using adapter plate (NS-30) supplied.

CAUTION: Lubricate o-ring (NS-26) on cartridge (NS-1).



The cartridge is factory set at an optimum time cycle which can be shortened as follows:

1. Loosen allen set screw (NS-28) on the side of the knob (NS-3).
2. "Pop out" plug button (NS-29) with sharp pointed tool.
3. Insert thin blade screw driver in center hole of knob (NS-3) and into slot of the push-rod (NS-4).
4. Turn knob (NS-3) clockwise while holding screw driver firmly. Turn until push-rod (NS-4) is 3/16" from top of knob (NS-3). This will give minimum time cycle. Replace plug button (NS-29).
5. Tighten allen set screw (NS-28).

To increase time cycle, turn knob (NS-3) counter-clockwise in step 4.

Symmons® INDUSTRIES, INC.

31 Brooks Drive, Brantree, MA 02184-3804
TEL: 1-800-SYMMONS, (781) 848-2250 FAX: 1-800-961-9621, (781) 843-3849
Website: www.symmons.com ©1997-2007 Symmons Industries, Inc

092397-C

SHOWEROFF[®] Automatic Shower Limiting Valve from 1983 to Date - Model 83

NOTE: Identify valve by Model 83 stamped on knob (NS-3)

REPAIR KITS:

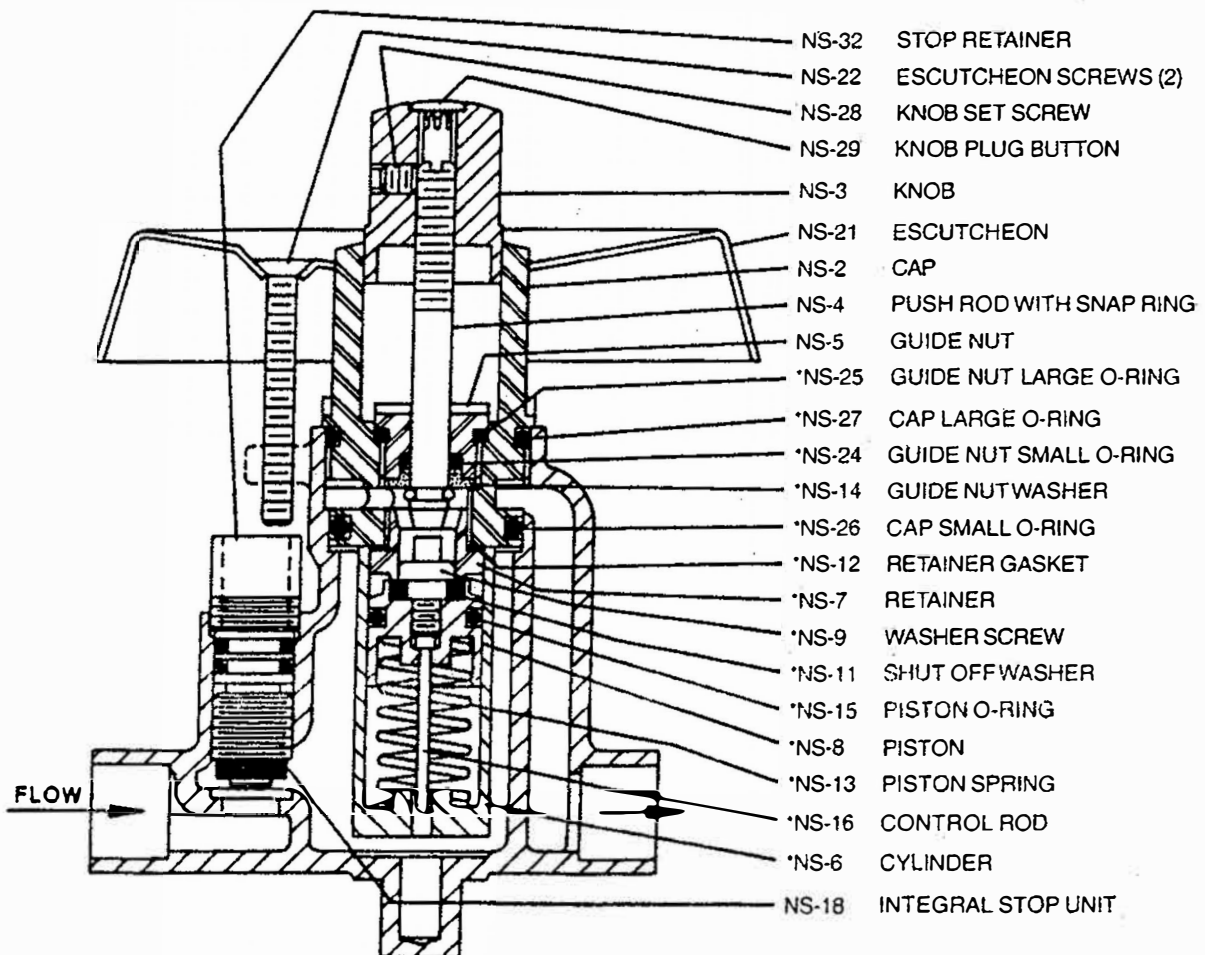
NS-1 COMPLETE REPLACEMENT UNIT

Cartridge Unit - comprises the complete working unit of the valve - assembled and tested

NS-13R WASHER AND GASKET REPAIR UNIT

Repair Unit - includes piston unit, cylinder and all necessary washers and gaskets as shown by asterisk

4-420 ILLUSTRATED WITH 1/2" SWEAT CONNECTIONS



Symmons[®] INDUSTRIES, INC

31 Brooks Drive, Braintree, MA 02184-3804

TEL: 1-800-SYMMONS, (781) 848-2250 FAX: 1-800-961-9621, (781) 843-3649

Website: www.symmons.com ©1997-2007 Symmons Industries, Inc

092397-C