

# Maintenance / Service & Repair / Parts

## Column Maintenance:

- ◆ Cleaning the Shower Tower column periodically will keep your facility looking new. To remove mineral content, calcium buildup, dirt, grime, etc. use Limeaway or similar calcium remover or non-abrasive household cleanser. Use soft brushes or pads that will not scratch the tower exterior. The smooth, flat panels at top, middle, and bottom of the tower will show scratching if wire brushes, steel wool, or other abrasive products are used.
- ◆ Shine and protect your tower from dirt and mineral deposits with periodic applications of a non-petroleum based sealant or oil - such as lemon oil.
- ◆ Vandalism repair - if necessary - paint can be removed with appropriate solvents and/or pressure cleaning.
- ◆ Carving, etching, engraving can be melted out by carefully heating the area with a butane torch. Extreme cases may require a light sanding or grinding first to scuff up the area, which aids the melting out process. Hopefully you'll never need to do this.

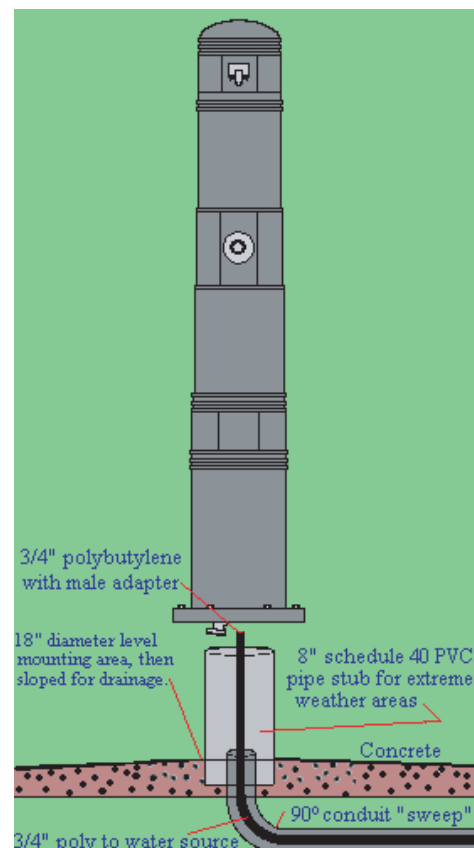
## Control Valve Maintenance:

- ◆ The control valves have moving parts which can wear with use. Please refer to the valve parts and tech sheet to review the internal works of the valve body and push button, self-closing cartridge mechanism. Periodic service and cleaning of the cartridge mechanism will ensure proper operation. See our Cartridge Cleaning and Service Procedure sheet for step-by-step instructions. Like any mechanism with moving parts, cleaning and lubrication will prolong life and provide proper operation.
- ◆ Water supply with high calcium or mineral content will cause build-up and drag on the moving parts of the cartridge, which may require more frequent cleaning, based on use. You might consider installing an in-line filter on your supply.
- ◆ Dirt, sand, debris in the water supply can clog the cartridge, which would cause it to not shut off completely. If a supply line is ruptured and repaired, remove the cartridges from the tower and flush the supply thoroughly before re-installing the cartridges.
- ◆ Spare parts, for example an extra NS-1 replacement cartridge on hand, can help you keep your facilities up and running. It's simple to exchange cartridges in order to perform service and cleaning, to keep your tower in operation.
- ◆ Simple design and few parts make becoming familiar with the control valve easy.
- ◆ Nationwide distribution makes getting spare parts convenient and quick, either through Shower Tower, Inc. or your local plumbing wholesaler.
- ◆ Clean mineral deposits, dirt, grime, etc. from the exterior of the fixtures with Limeaway or similar, non-abrasive cleansers. "Sheila Shine" is a recommended cleaner for stainless steel and chrome.
- ◆ Exterior escutcheons and cover plates can be ordered separately in needed.

**ShowerTower**  
inc.

## Shower / Foot-wash nozzle maintenance:

- ◆ Periodic cleaning to remove mineral deposits, water stains, etc.
- ◆ Spray pattern can be adjusted from a fine mist to a jet spray by turning the 1/8" Allen screw up in the nozzle. Counter-clockwise to mist, clockwise to jet.



## Winterizing / Freeze protection:

- Winterize your Shower Tower like any other outdoor plumbing. Drain and remove push button cartridges to prevent cracking and freeze damage. Shower Towers are so easy to install that you may consider storing the tower for the winter months. Shower Tower does not have a drain port, so you might consider installing a drain in your supply line.



# SYMMONS® Showeroff®

## Automatic Shower limiting Valve Installation and Service

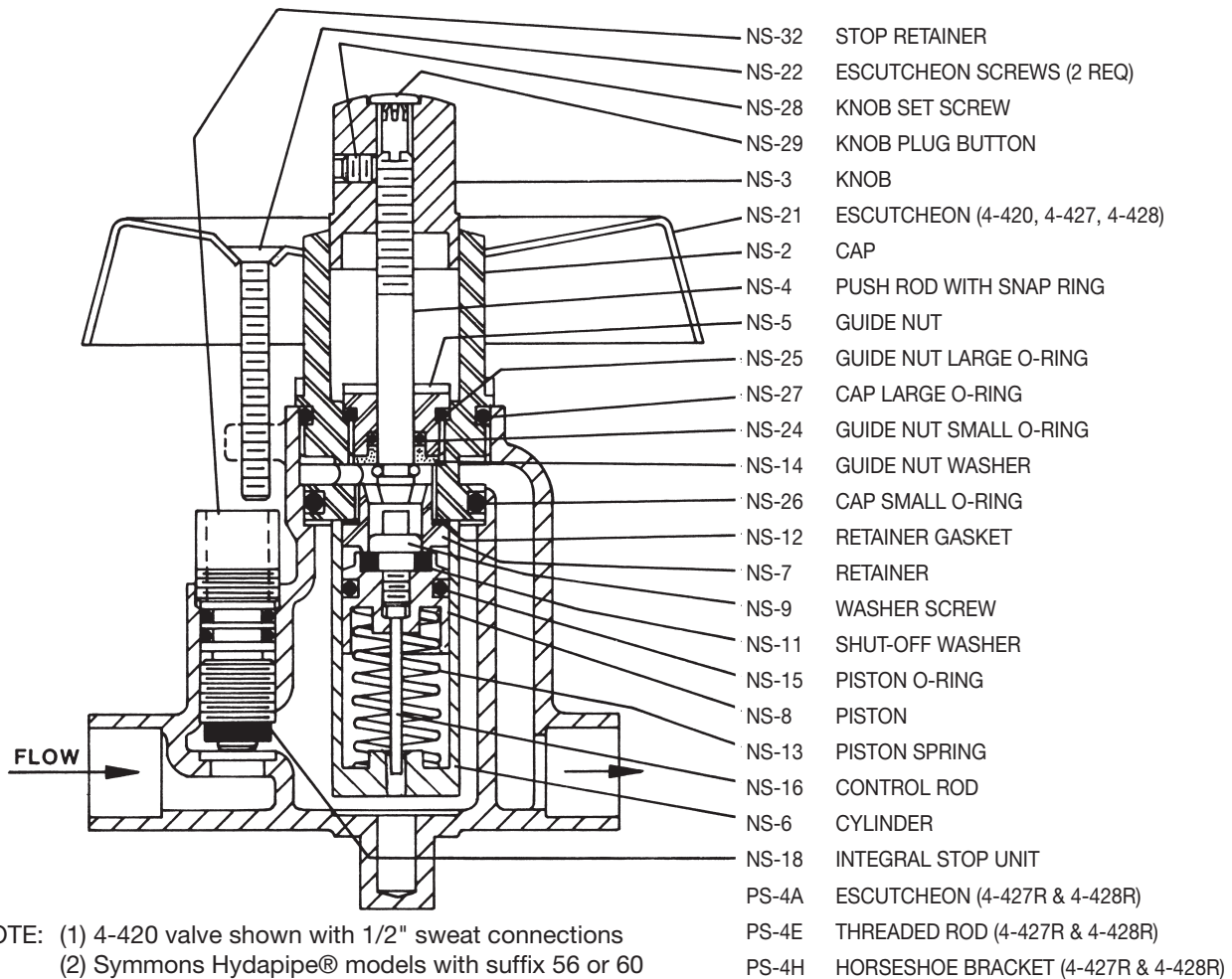
### Timing Instructions:

- 1) Loosen Allen set screw (NS-28) on side of knob (NS-3).
- 2) Pop-out plug-button (NS-29) with sharp pointed tool.
- 3) Insert thin blade screw driver in center hole of knob (NS-3) and into the slot of the push-rod (NS-4).
- 4) Turn knob (NS-3) clockwise while holding screw driver firmly. Turn until push-rod (NS-4) is 3/16" from top of knob (NS-3). This will give minimum time cycle. Replace plug-button (NS-29).
- 5) Tighten Allen set screw (NS-28). To increase time cycle, turn knob (NS-3) counter-clockwise in step 4.

### Service:

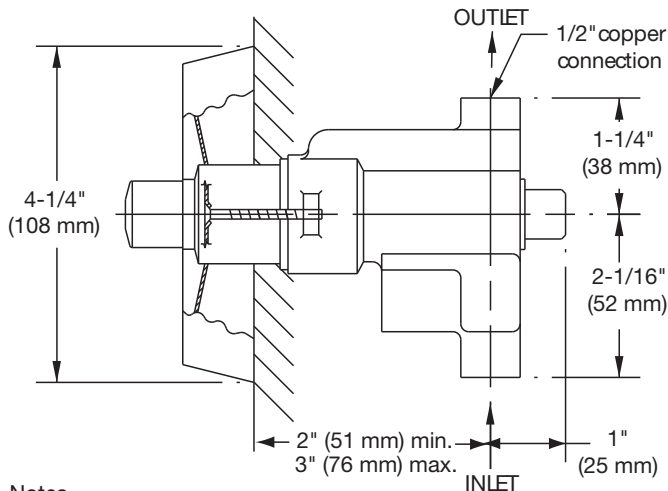
- **NS-13R - Washer & Gasket Repair Kit**, includes piston unit, control rod sleeve, sleeve, retainer and all necessary washers and gaskets.
- **NS-1 - Complete Replacement Unit**, includes the complete working unit of the valve assembled and tested)
- **New installations**, before turning on the water supply, remove cartridge, open stop and thoroughly flush supply line. Replace cartridge and turn on supply. If supply is not thoroughly flushed of dirt and foreign matter, the valve will not shut off.
- **Long idle periods** - If the valve has a long idle period between installation and use, or is used seasonally, disassemble the cartridge unit and lightly lubricate all moving parts.

### Parts Assembly Showeroff Shower Limiting Valve, 4-420



NOTE: (1) 4-420 valve shown with 1/2" sweat connections  
 (2) Symmons Hydapipe® models with suffix 56 or 60 include the Symmons Showeroff valve shown above

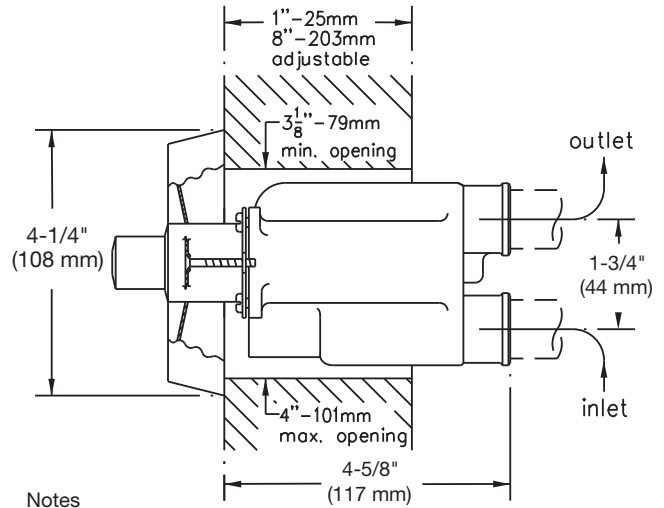
**Dimensions Showeroff Shower Valve, 4-420**



**Notes**

- (1) Illustrated 3" (76 mm) from tubing centerline to face of wall
- (2) Dimensions subject to change without notice

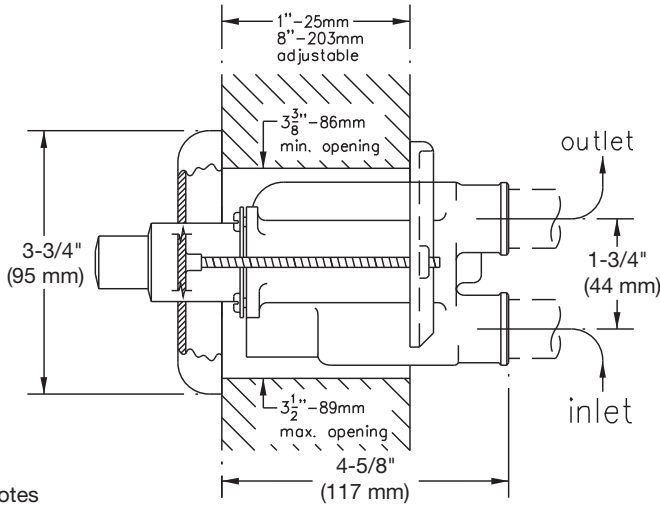
**Dimensions Showeroff Shower Limiter Valve, 4-427**



**Notes**

- (1) Illustrated with 3" (76 mm) wall
- (2) Dimensions subject to change without notice

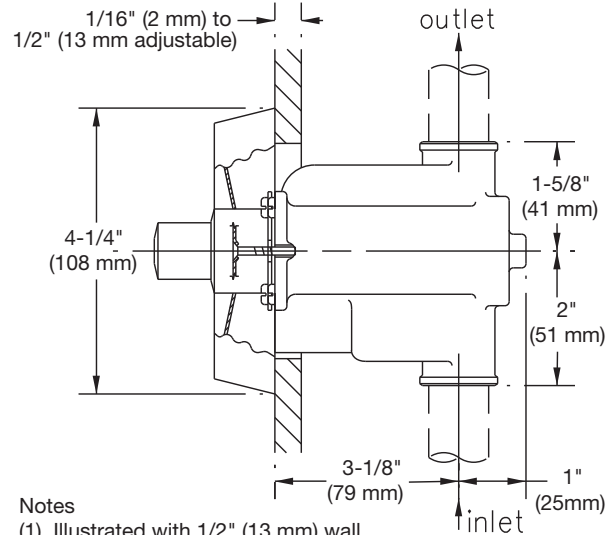
**Dimensions Showeroff Shower Valve, 4-427-R**



**Notes**

- (1) Illustrated 3" with (76 mm) wall
- (2) Dimensions subject to change without notice

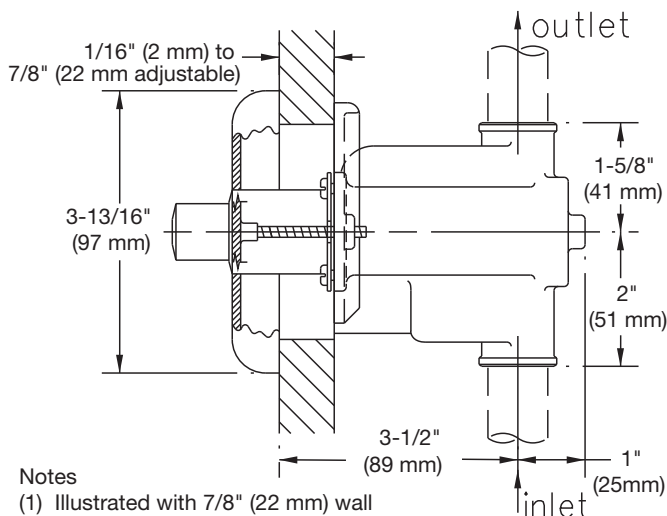
**Dimensions Showeroff Shower Valve, 4-428**



**Notes**

- (1) Illustrated with 1/2" (13 mm) wall
- (2) Dimensions subject to change without notice

**Dimensions Showeroff Shower Valve, 4-428-R**



**Notes**

- (1) Illustrated with 7/8" (22 mm) wall
- (2) Dimensions subject to change without notice